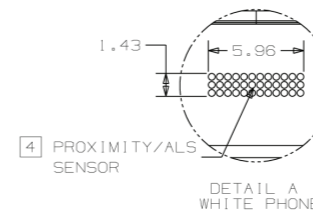
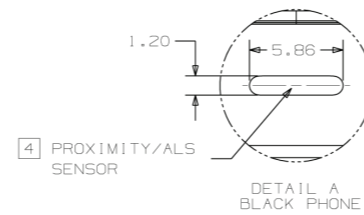
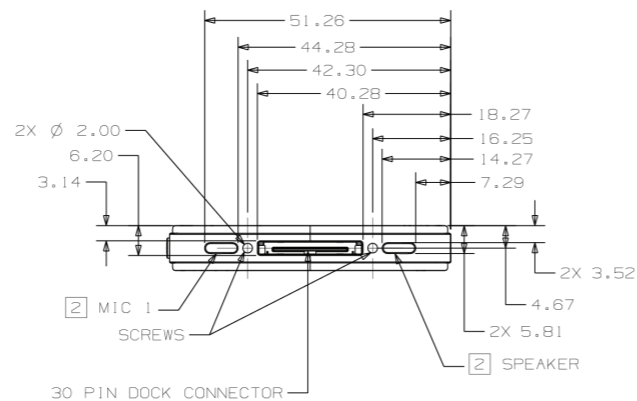
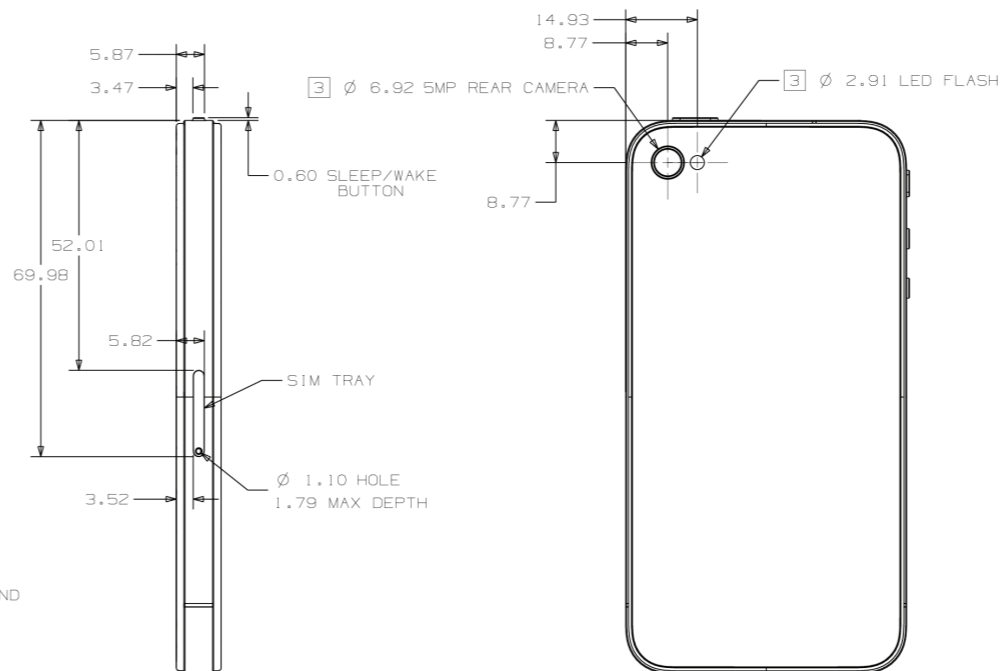
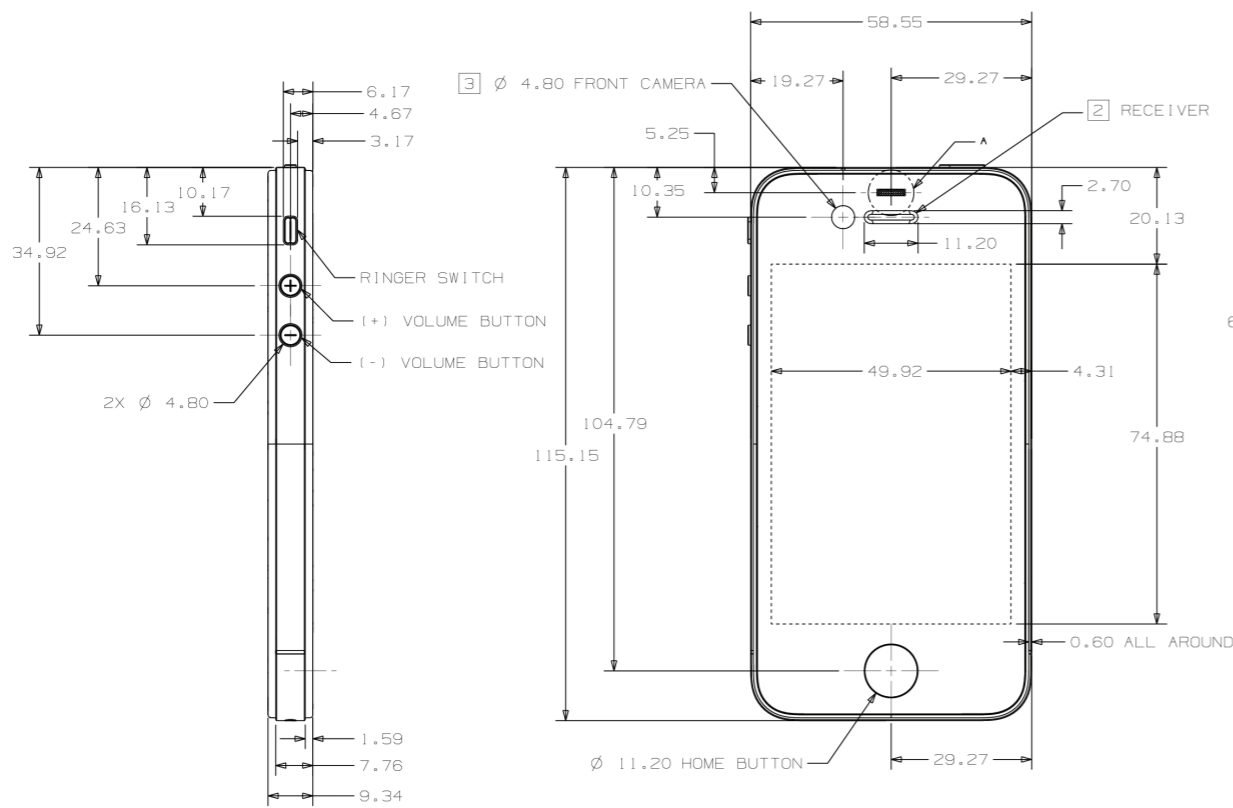
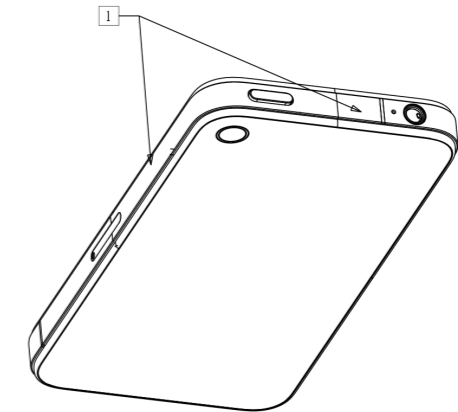
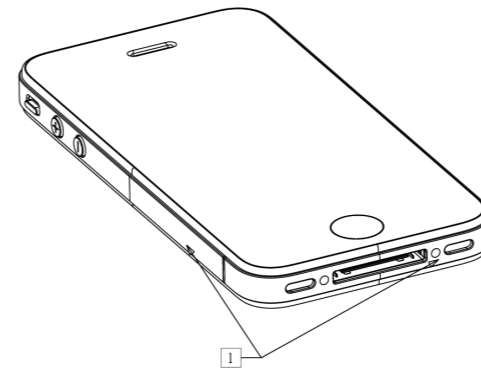
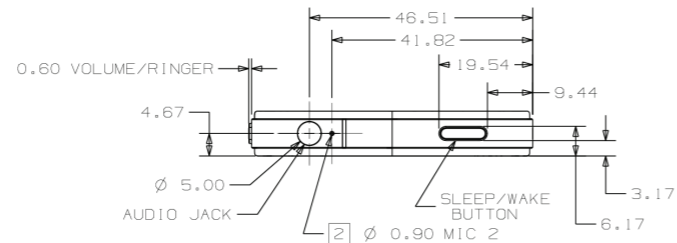


•NOTES•

- 1 NO METAL CONTACT WITH iPhone 4 METAL BAND.
- 2 DO NOT OBSTRUCT THE ACOUSTIC OPENINGS: MIC 1, MIC 2, RECEIVER, AND SPEAKER.
- 3 DO NOT OBSTRUCT THE IMAGING FEATURES: FRONT CAMERA, 5MP REAR CAMERA, LED FLASH.
- 4 DO NOT OBSTRUCT THE PROXIMITY/ALS SENSORS.



METRIC		Apple Inc.	
DRAWER	DATE	NOTICE OF PROPRIETARY PROPERTY: THE INFORMATION CONTAINED HEREIN IS THE PROPRIETARY PROPERTY OF APPLE INC.	
DESIGNER	DATE	©2010 APPLE INC. ALL RIGHTS RESERVED. APPLE, THE APPLE LOGO, AND iPhone ARE TRADEMARKS OF APPLE INC., REGISTERED IN THE U.S. AND OTHER COUNTRIES.	
DIMENSIONS ARE IN MILLIMETERS TOLERANCES		TITLE	
X.X	±0.4	iPhone 4	
X.XX	±0.20		
X.XXX	±0.100		
ANGLES ±0.5°		DRAWING NUMBER	REV. 2
DO NOT SCALE DRAWINGS		SCALE NONE	SHT 1 OF 1
THIRD ANGLE PROJECTION		SIZE D	